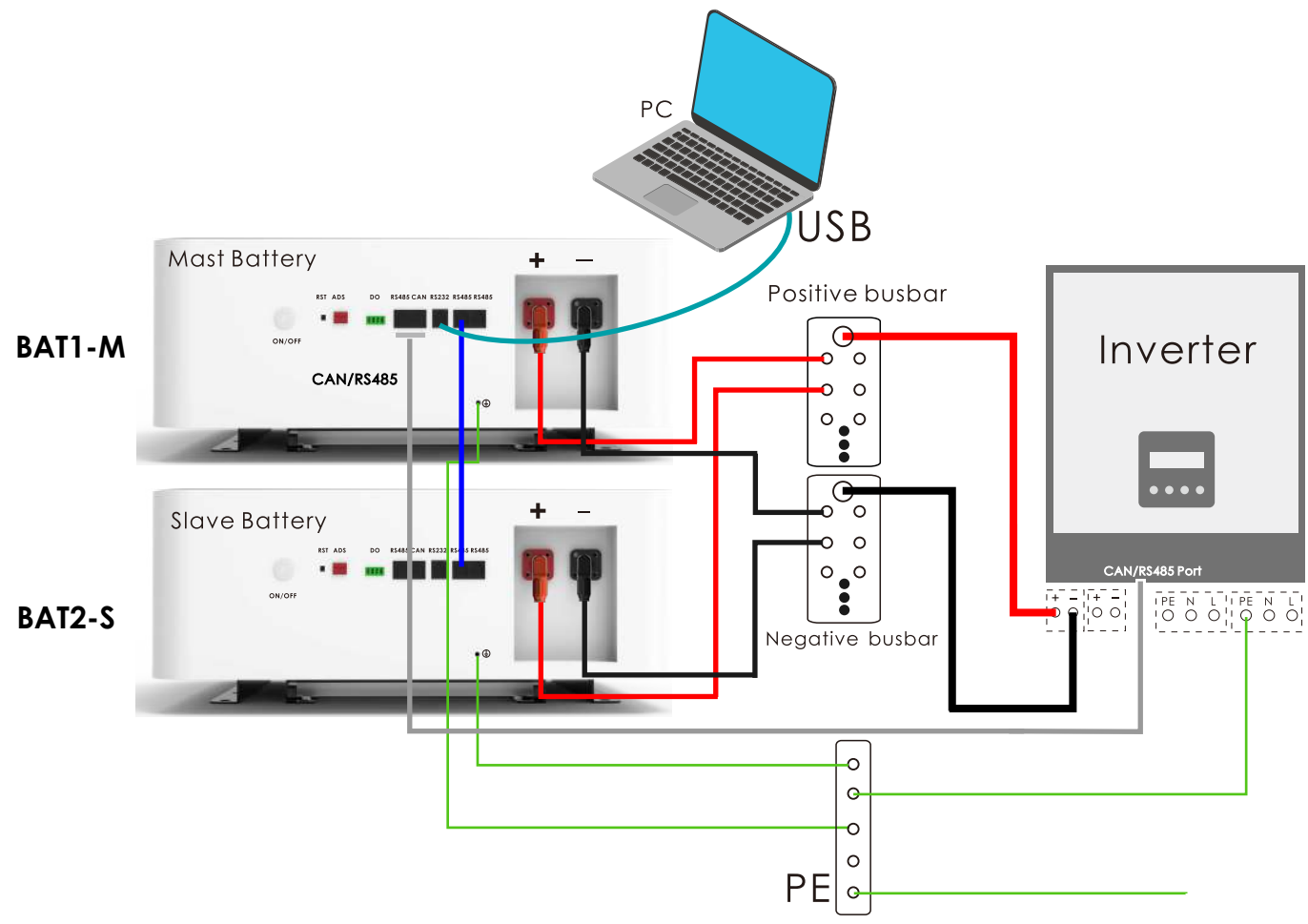


REVISION				
ISSUE	ZONE	DESCRIPTION	DATE	REVISER
				V1.0

2 Batteries in parallel Connection Diagram:



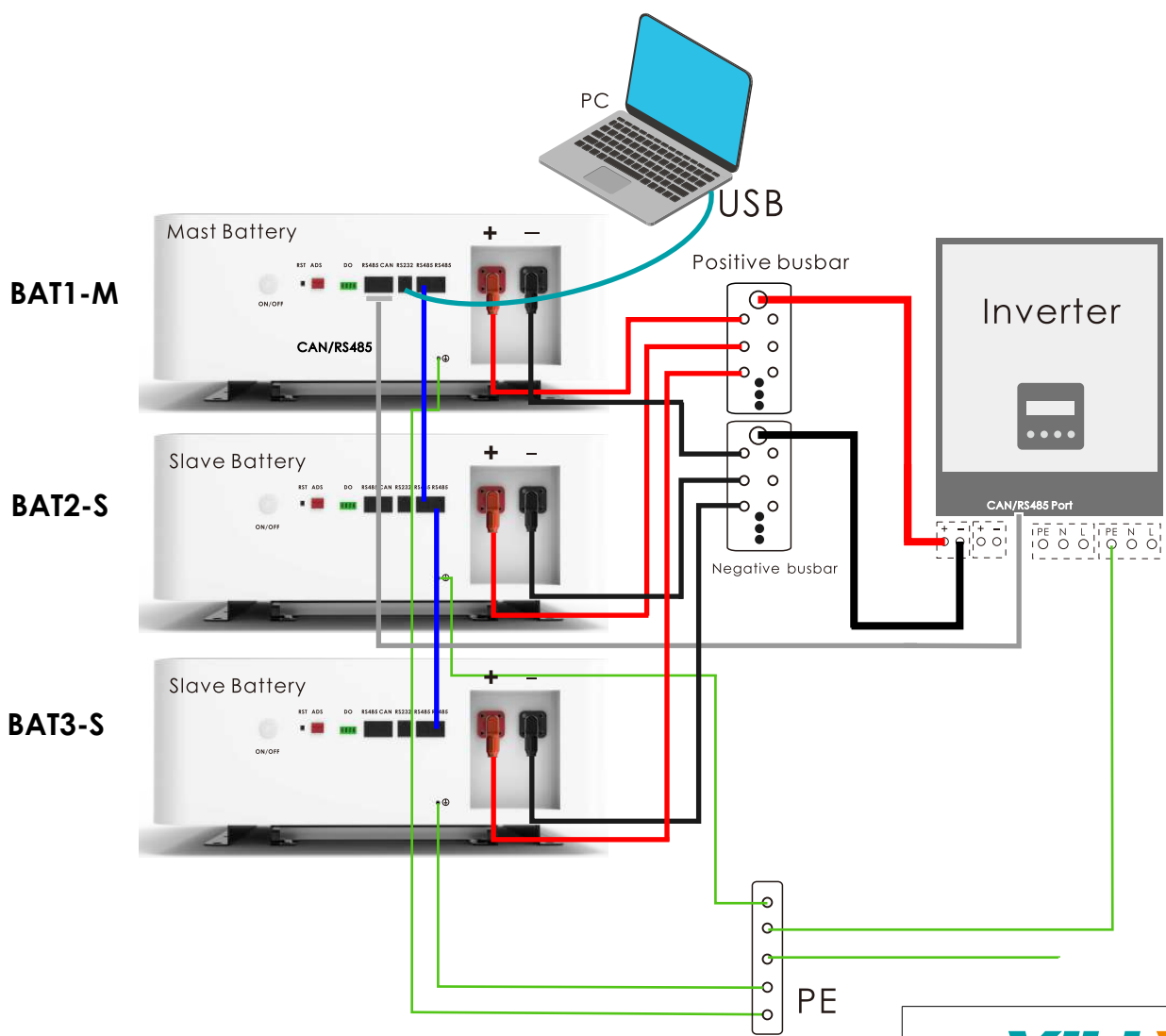
The Dial-up Addresses Of Battery Module		
Battery No.	Dial-up Addresses	Description
1	BAT1-M 	Mast Battery
2	BAT2-S 	Slave Battery

NOTE
 While in parallel communication, the dial-up addresses of battery module are 1,2,3,4.....14,15, where 1 stands for the main engine, the data of other batteries are uploaded to the main engine conducts unified uploading,The host computer with dial-up code of 1 to connect with upper computer.

	DESIGN	CHECKED	APPROVED	UNIT	mm
	Andy	Robert	Shy	SIZE	A4
				REV.	A1
	MODEL No.	PART No.	PART NAME	MATERIAL	DATE
			YL-0041-TZ-02		2021-10-18

REVISION				
ISSUE	ZONE	DESCRIPTION	DATE	REVISER
				V1.0

3 Batteries in parallel connection diagram:



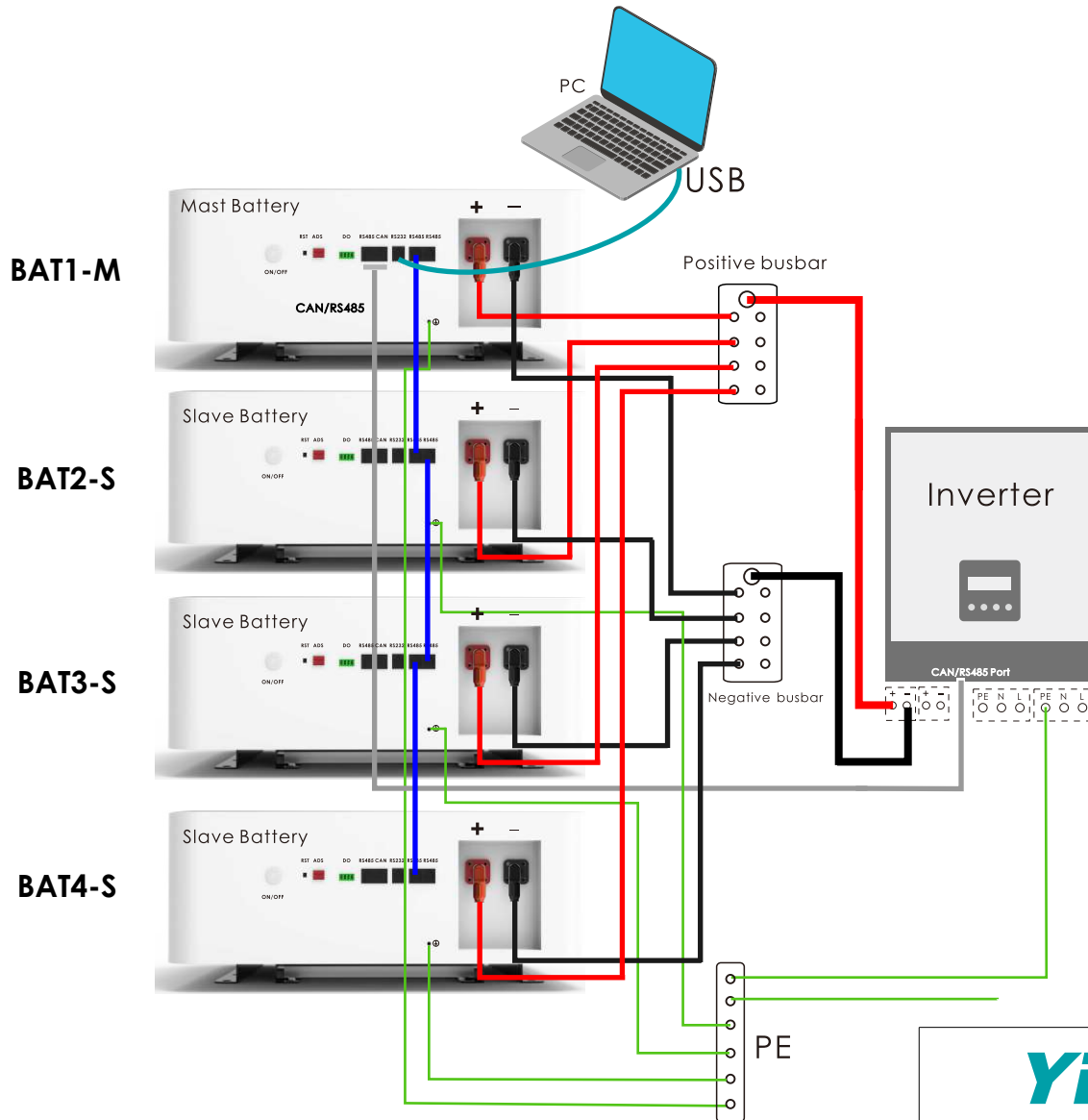
The Dial-up Addresses Of Battery Module

Battery No.	Dial-up Addresses	Description
1	BAT1-M 	Mast Battery
2	BAT2-S 	Slave Battery
3	BAT3-S 	Slave Battery

NOTE
 While in parallel communication, the dial-up addresses of battery module are 1,2,3,4.....14,15, where 1 stands for the main engine, the data of other batteries are uploaded to the main engine conducts unified uploading. The host computer with dial-up code of 1 to connect with upper computer.

		DESIGN	CHECKED	APPROVED	UNIT	mm
		Andy	Robert	Shy	SIZE	A4
		MODEL No.	PART No.	PART NAME	MATERIAL	DATE
				YL-0041-TZ-03		2021-10-18

4 Batteries in parallel connection diagram:



The Dial-up Addresses Of Battery Module

Battery No.	Dial-up Addresses	Description
1	BAT1-M 	Mast Battery
2	BAT2-S 	Slave Battery
3	BAT3-S 	Slave Battery
4	BAT4-S 	Slave Battery

NOTE

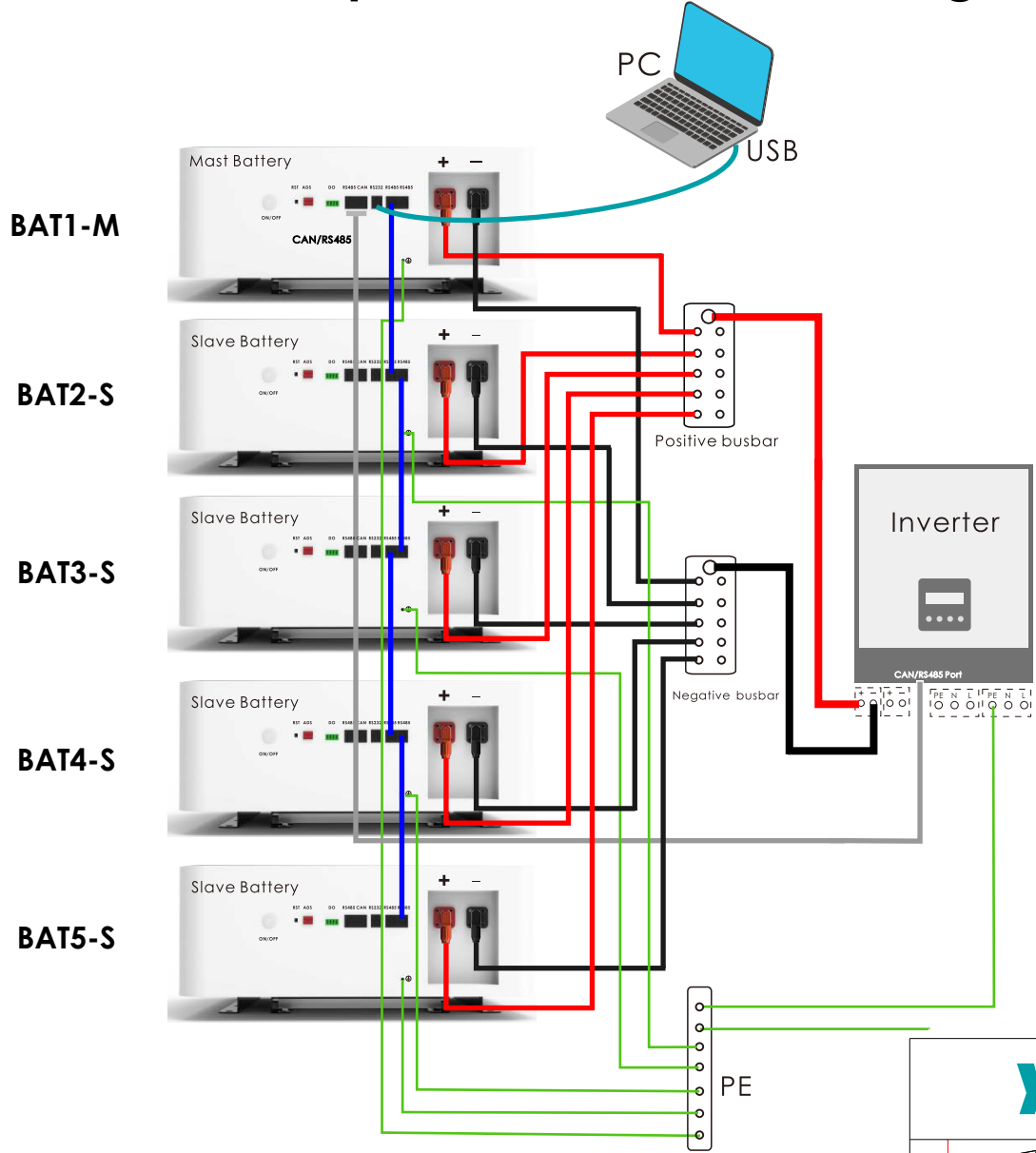
While in parallel communication, the dial-up addresses of battery module are 1,2,3,4.....14,15, where 1 stands for the main engine. the data of other batteries are uploaded to the main engine conducts unified uploading. The host computer with dial-up code of 1 to connect with upper computer.

DESIGN	CHECKED	APPROVED	UNIT	mm
Andy	Robert	Shy	SIZE	A4
			REV.	A1

	MODEL No.	PART No.	PART NAME	MATERIAL	DATE
			YL-0041-TZ-04		2021-10-18

REVISION				
ISSUE	ZONE	DESCRIPTION	DATE	REVISER
				V1.0

5 Batteries in parallel connection diagram:



The Dial-up Addresses Of Battery Module

Battery No.	Dial-up Addresses	Description
1	BAT1-M 	Mast Battery
2	BAT2-S 	Slave Battery
3	BAT3-S 	Slave Battery
4	BAT4-S 	Slave Battery
5	BAT5-S 	Slave Battery

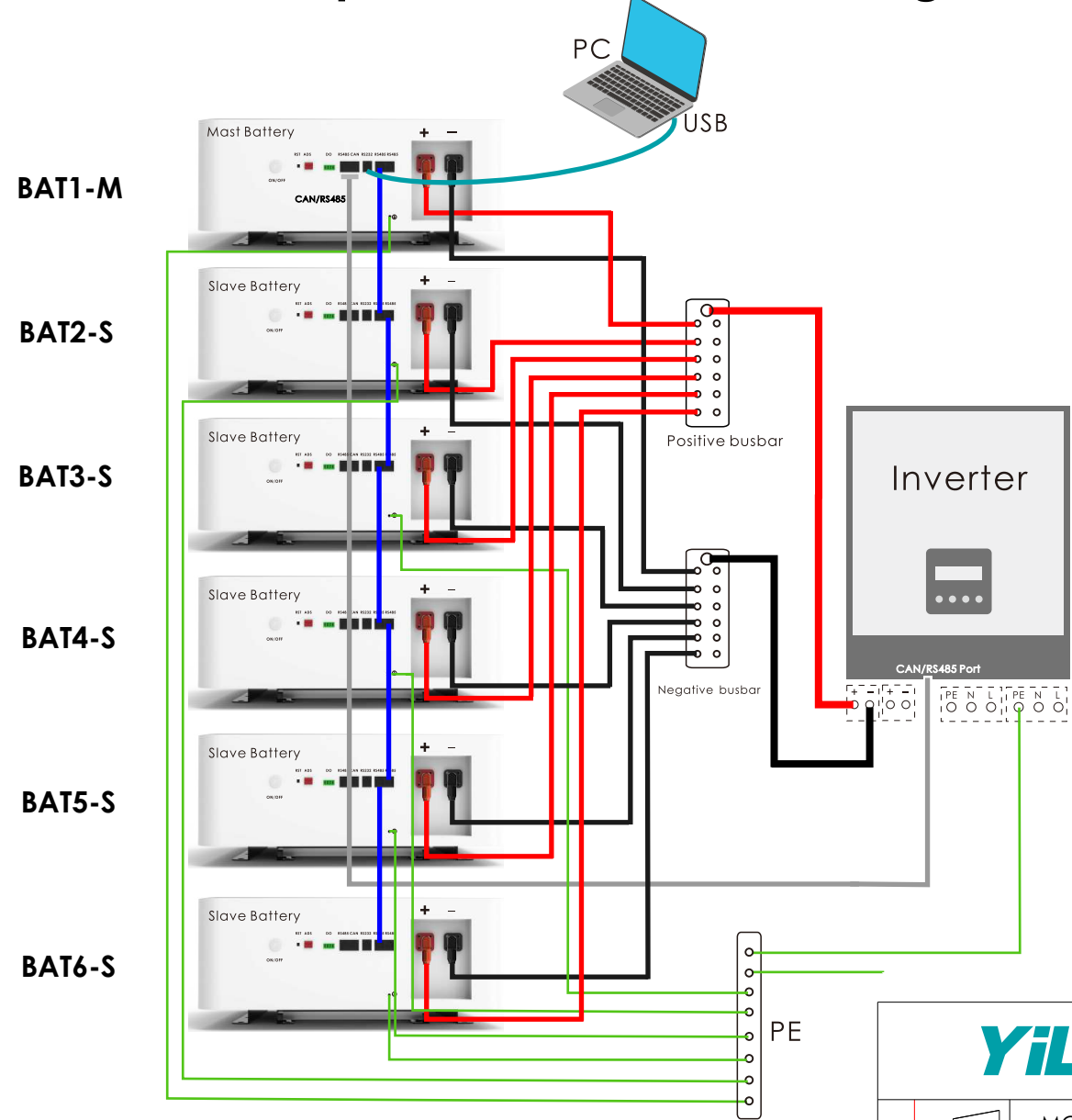
NOTE
While in parallel communication, the dial-up addresses of battery module are 1,2,3,4.....14,15, where 1 stands for the main engine, the data of other batteries are uploaded to the main engine conducts unified uploading. The host computer with dial-up code of 1 to connect with upper computer.

DESIGN	CHECKED	APPROVED	UNIT	mm
Andy	Robert	Shy	SIZE	A4
			REV.	A1

	MODEL No.	PART No.	PART NAME	MATERIAL	DATE
			YL-0041-TZ-05		2021-10-18

REVISION				
ISSUE	ZONE	DESCRIPTION	DATE	REVISER
				V1.0

6 Batteries in parallel connection diagram:



The Dial-up Addresses Of Battery Module

Battery No.	Dial-up Addresses	Description
1	BAT1-M 	Mast Battery
2	BAT2-S 	Slave Battery
3	BAT3-S 	Slave Battery
4	BAT4-S 	Slave Battery
5	BAT5-S 	Slave Battery
6	BAT6-S 	Slave Battery

NOTE
While in parallel communication, the dial-up addresses of battery module are 1,2,3,4.....14,15, where 1 stands for the main engine, the data of other batteries are uploaded to the main engine conducts unified uploading. The host computer with dial-up code of 1 to connect with upper computer.

		DESIGN	CHECKED	APPROVED	UNIT	mm
		Andy	Robert	Shy	SIZE	A4
					REV.	A1
	MODEL No.	PART No.	PART NAME	MATERIAL	DATE	
			YL-0041-TZ-06		2021-10-18	